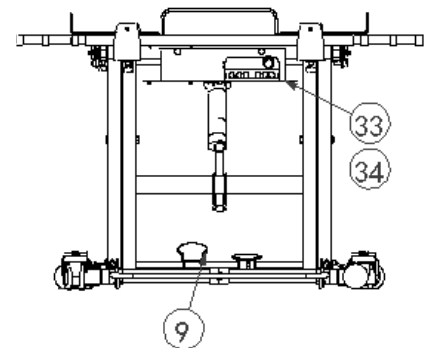
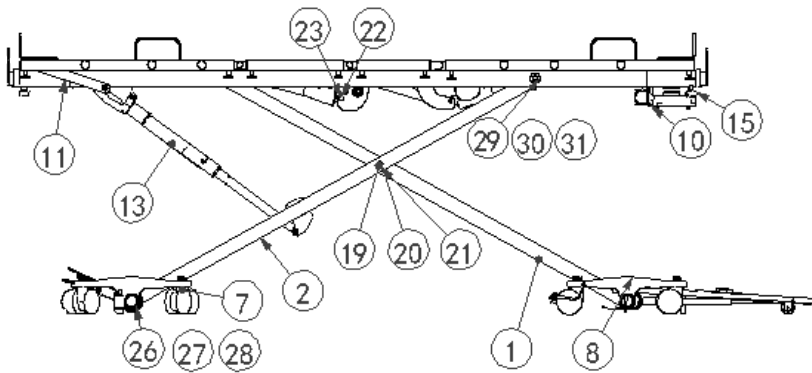
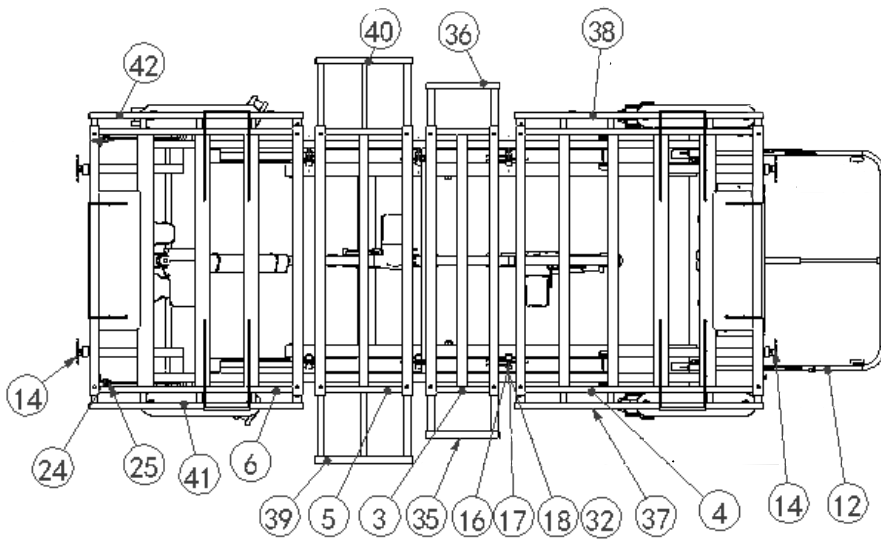


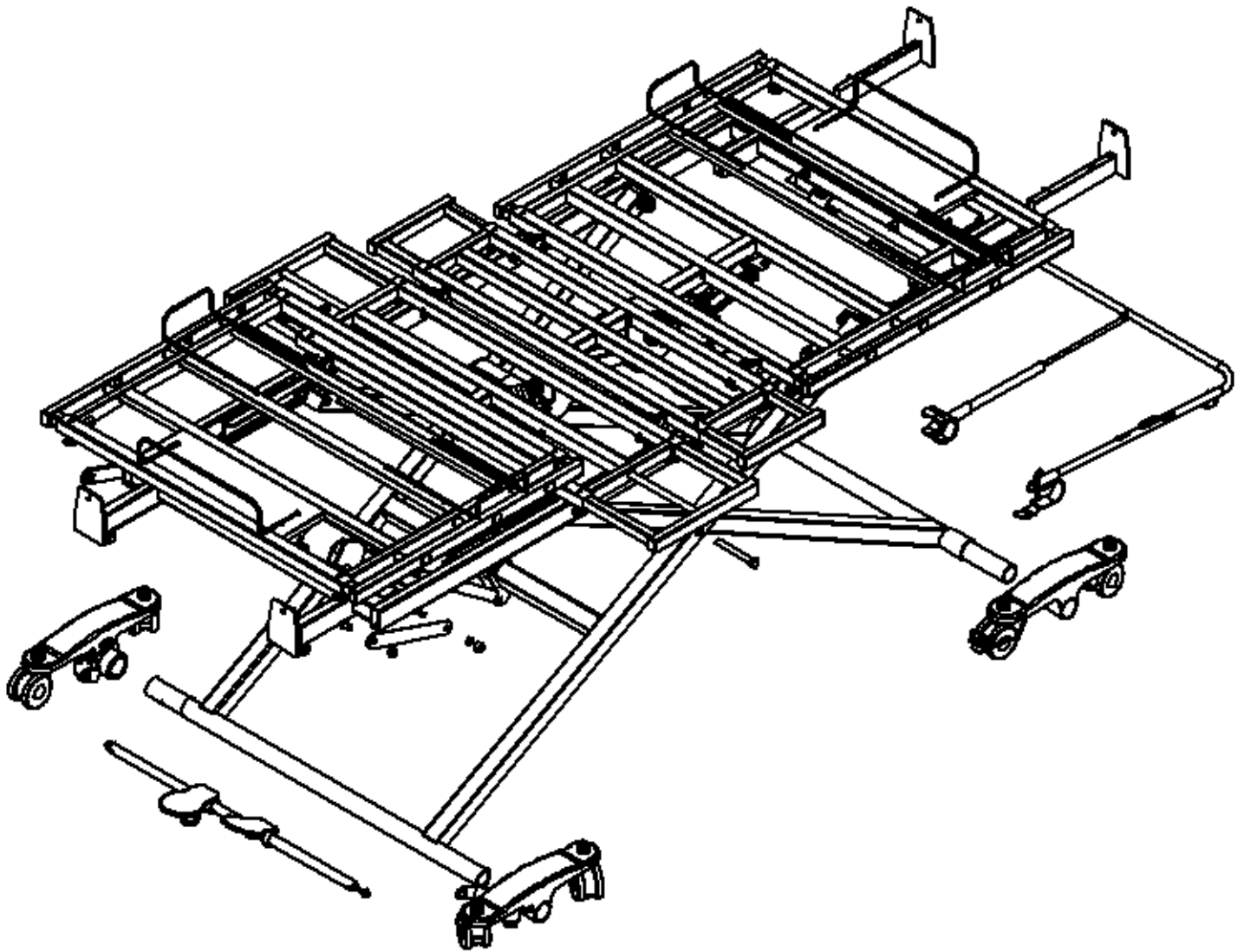
OASIS

Parts Diagram

52300- OASIS EXPANDABLE Long-Term Care Low Profile Bed

Product drawing





Code	Component				
1	Support leg	14	Board bracket	27	Round pipe cap
2	Support leg	15	M8*13 Screw with turn knob	28	Socket screw
3	Lower bed frame	16	Hex bolt	29	Nyloc nut
4	Front bed deck	17	Nyloc nut	30	Hex bolt
5	Mid rear bed deck	18	Nut cap	31	Nut cap
6	Rear bed deck	19	Hex bolt	32	Washer
7	Caster leg - front	20	Nyloc nut	33	Flat head philips screw
8	Caster leg - rear	21	Nut cap	34	Nyloc nut
9	Central brake assembly	22	Cotter pin	35	Mid front expansion piece - left
10	Control box holding plate	23	Clevis pin	36	Mid front expansion piece - right
11	Foot deck connection plate	24	Serrated flange bolt	37	Front expansion piece - left
12	Bumper bar	25	Square nut	38	Front expansion piece - right
13	Electronics assembly	26	38 Round pipe cap	39	Mid rear expansion piece - left

Code	Component				
40	Mid rear expansion piece - right				
41	Rear expansion piece - left				
42	Rear expansion piece - right				