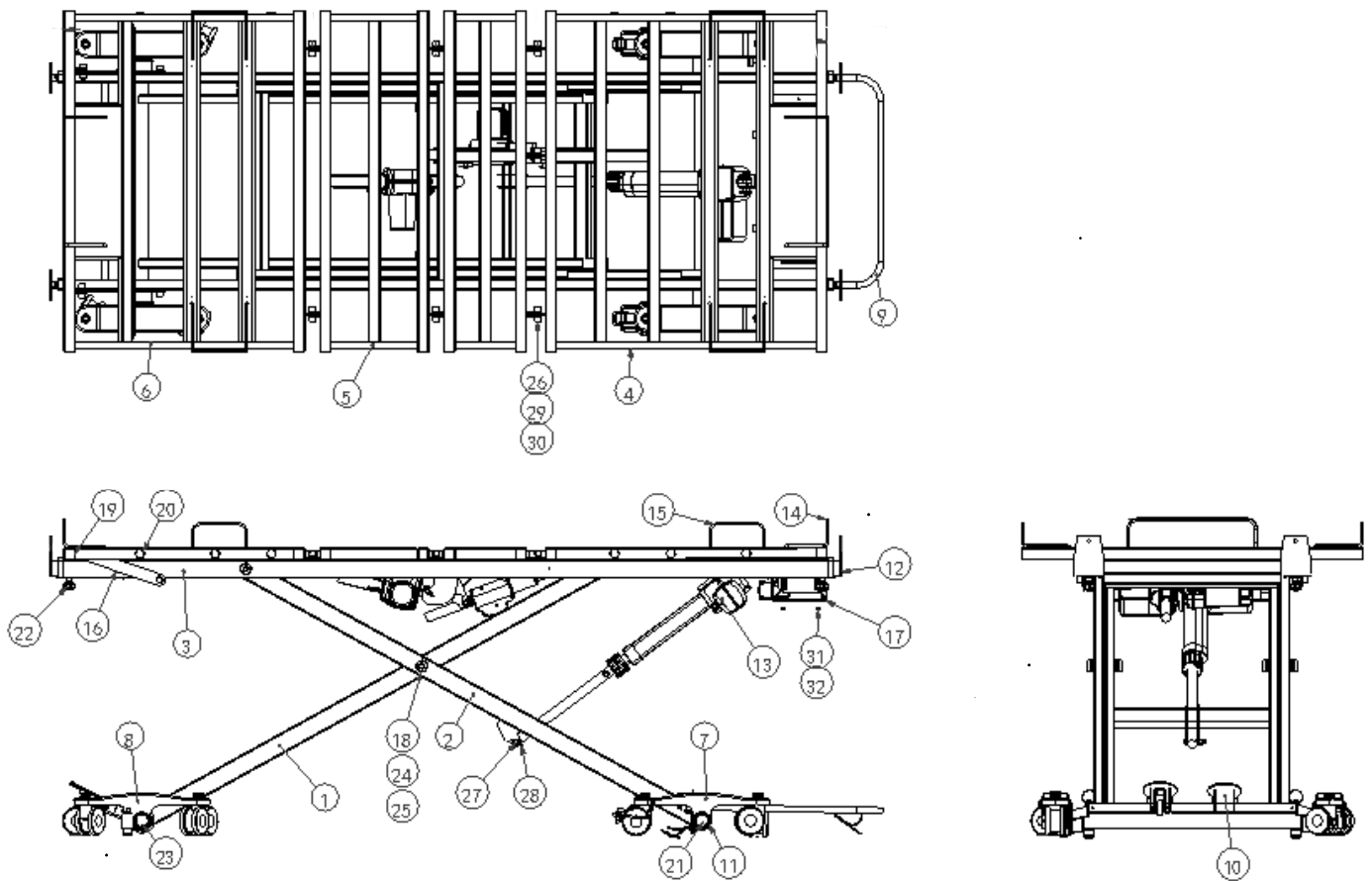


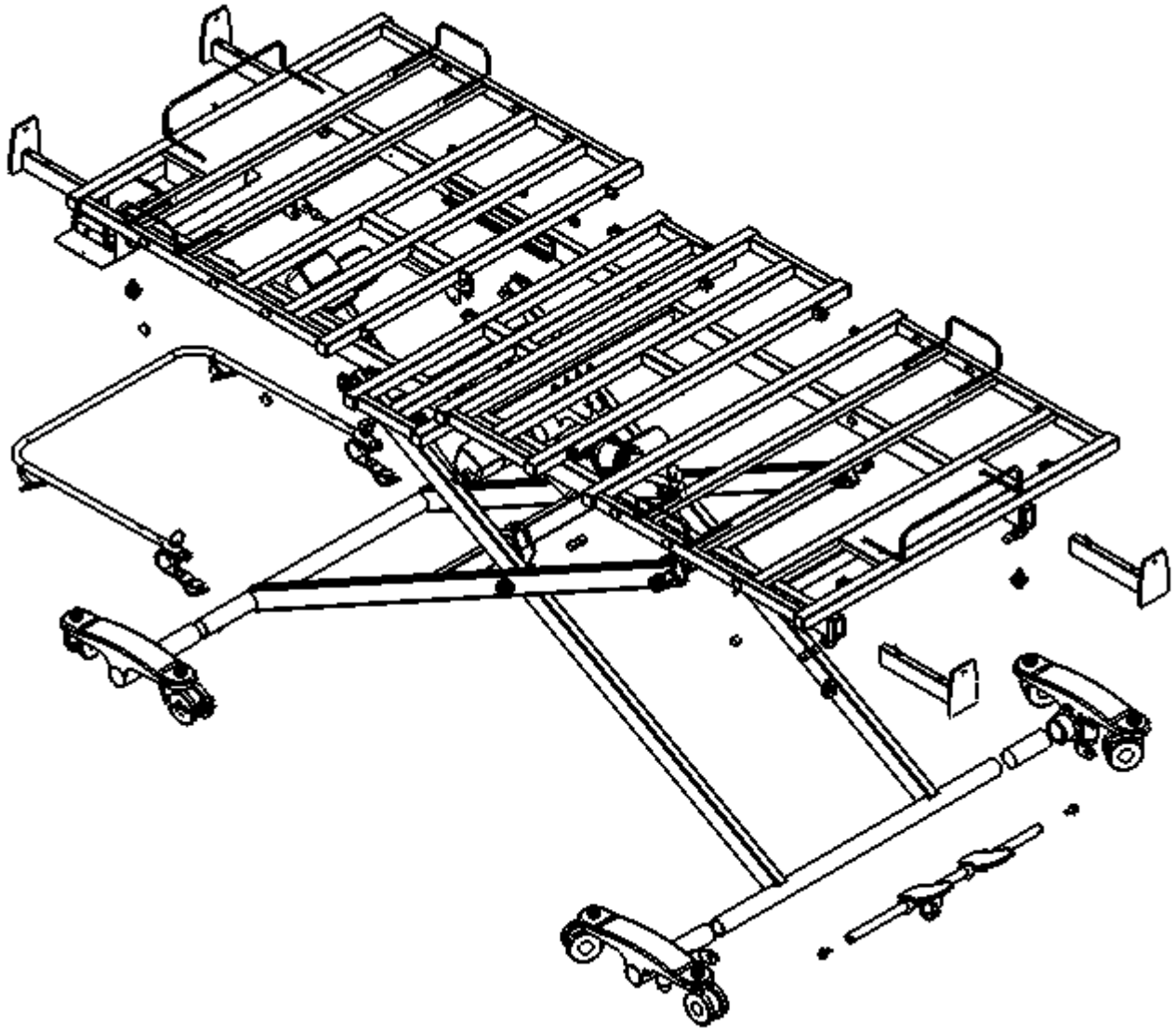
OASIS

Parts Diagram

52200- OASIS Long-Term Care Low Profile Bed

Product drawing





Code	Component				
1	Support leg	13	Electronics assembly	25	M16 Nyloc nut
2	Support leg	14	Bed end mattress retainer	26	M8x25mm,10mm threaded Hex bolt
3	Lower bed frame	15	Mattress retainer	27	Φ9.6*53.5mm Clevis pin
4	Front bed deck	16	Foot deck connection plate	28	Cotter pin
5	Mid rear bed deck	17	Control box holding plate	29	M8 Nyloc nut
6	Rear bed deck	18	M16 Nut cap	30	Nut cap M8
7	Caster leg - front	19	30 Square cap	31	M4*12 Flat head phillips screw
8	Caster leg - rear	20	20 Hole plug	32	M4 Nyloc nut
9	Bumper bar	21	38 Round pipe cap		
10	Central brake assembly	22	M8*13 Screw with turn knob		
11	Tube cap 38	23	M6*8 Socket screw		
12	Board bracket	24	M16x70mm, 18mm threaded Hex bolt		